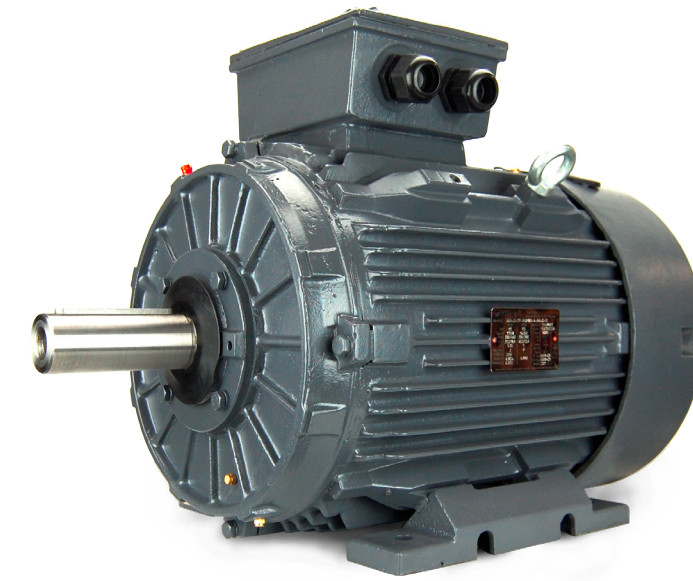
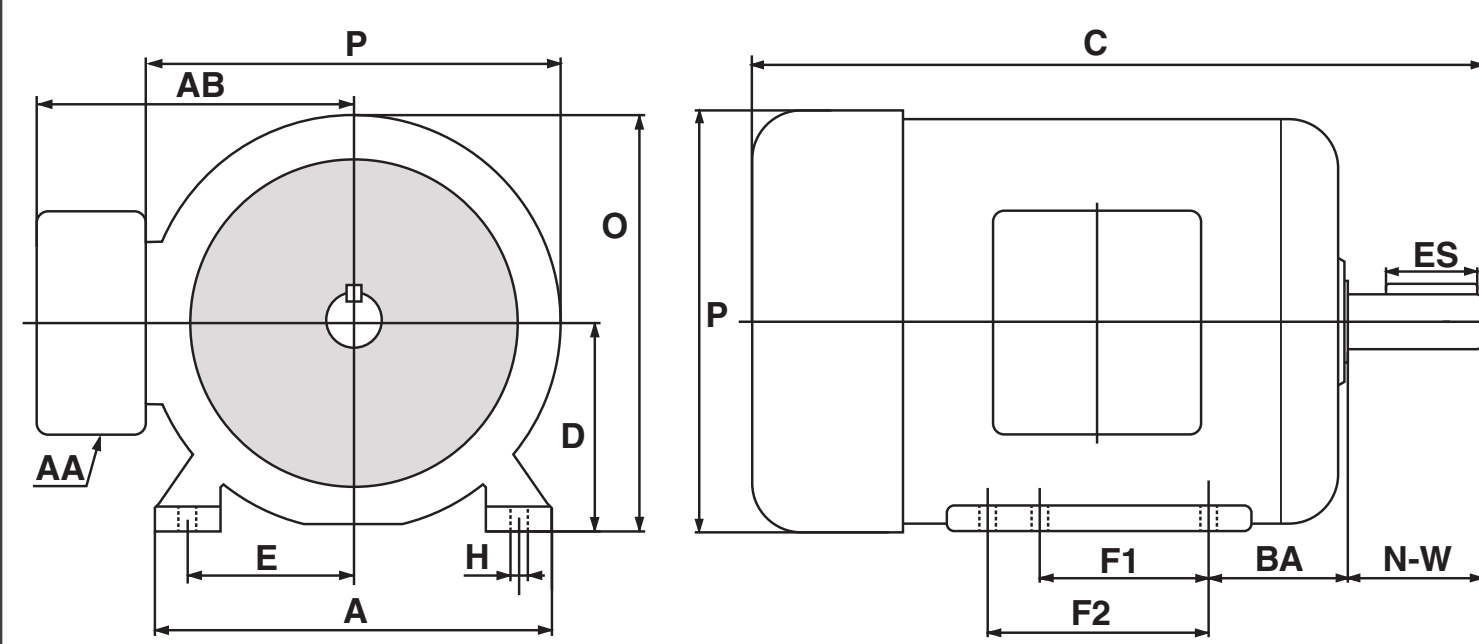


TECHTOP

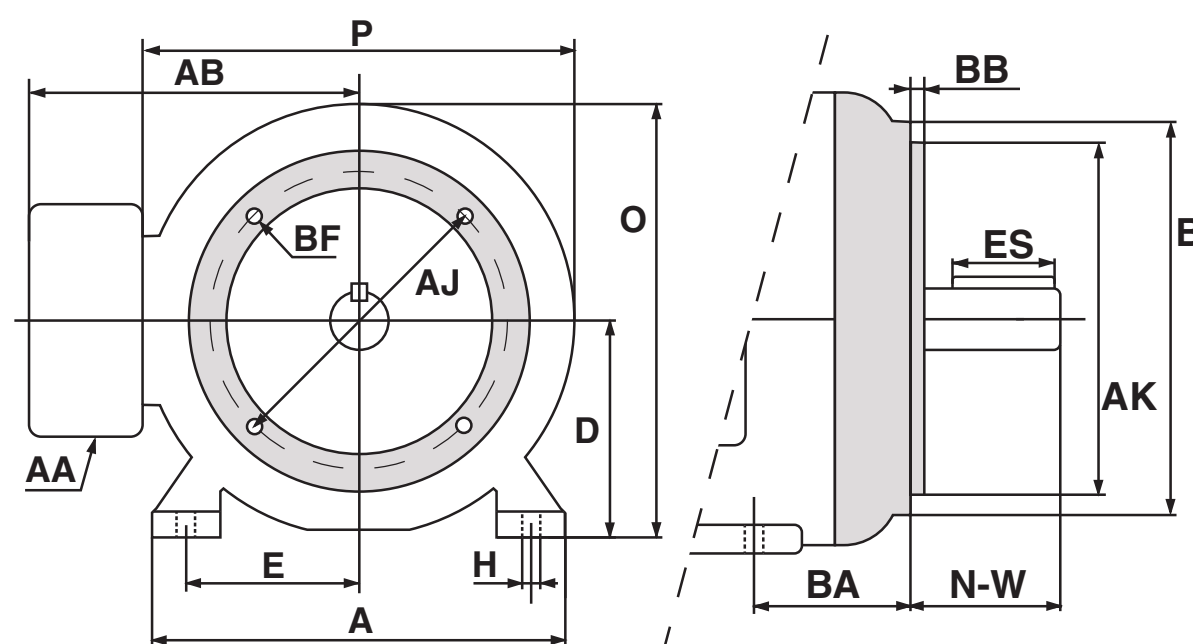
HIGH QUALITY MOTORS



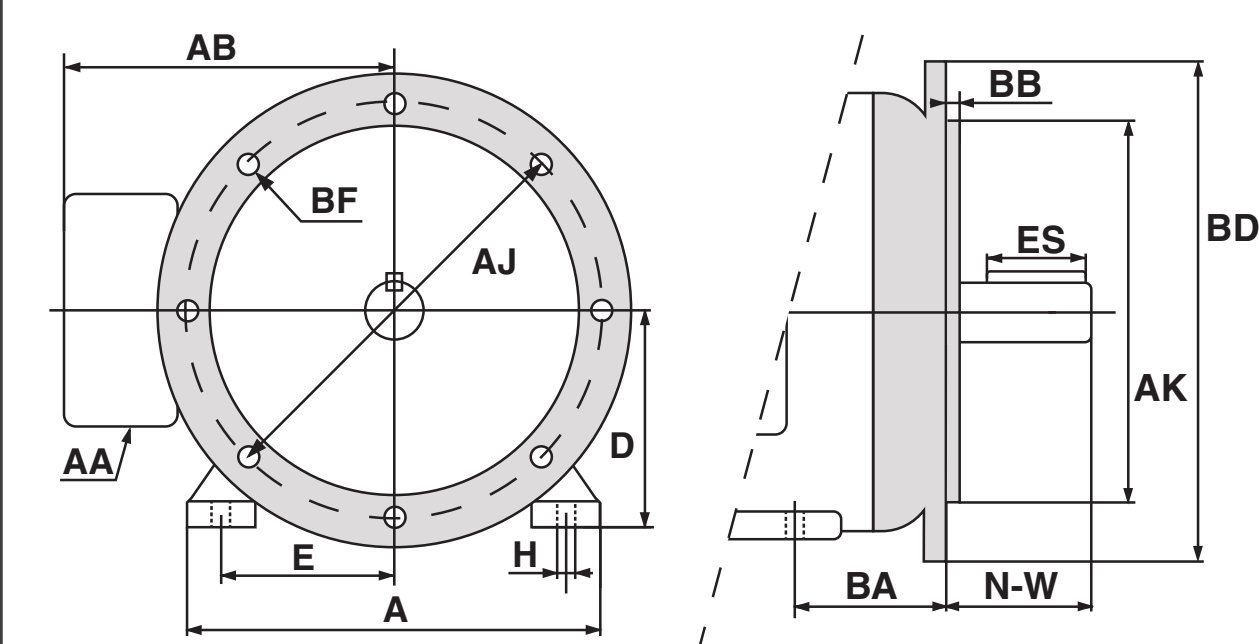
NEMA CAST IRON FRAME DIMENSIONS



FOOTED T-FRAME



FOOTED C-FLANGE

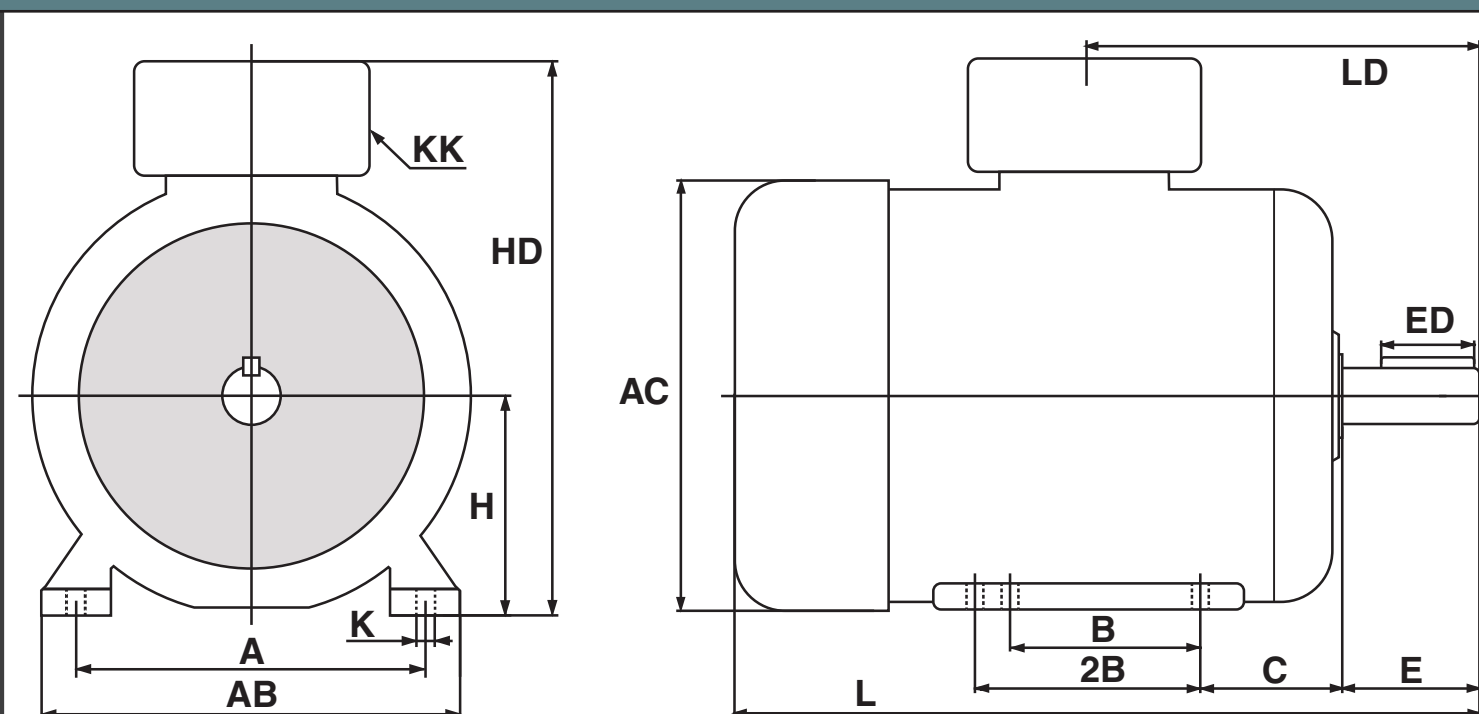


FOOTED D-FLANGE

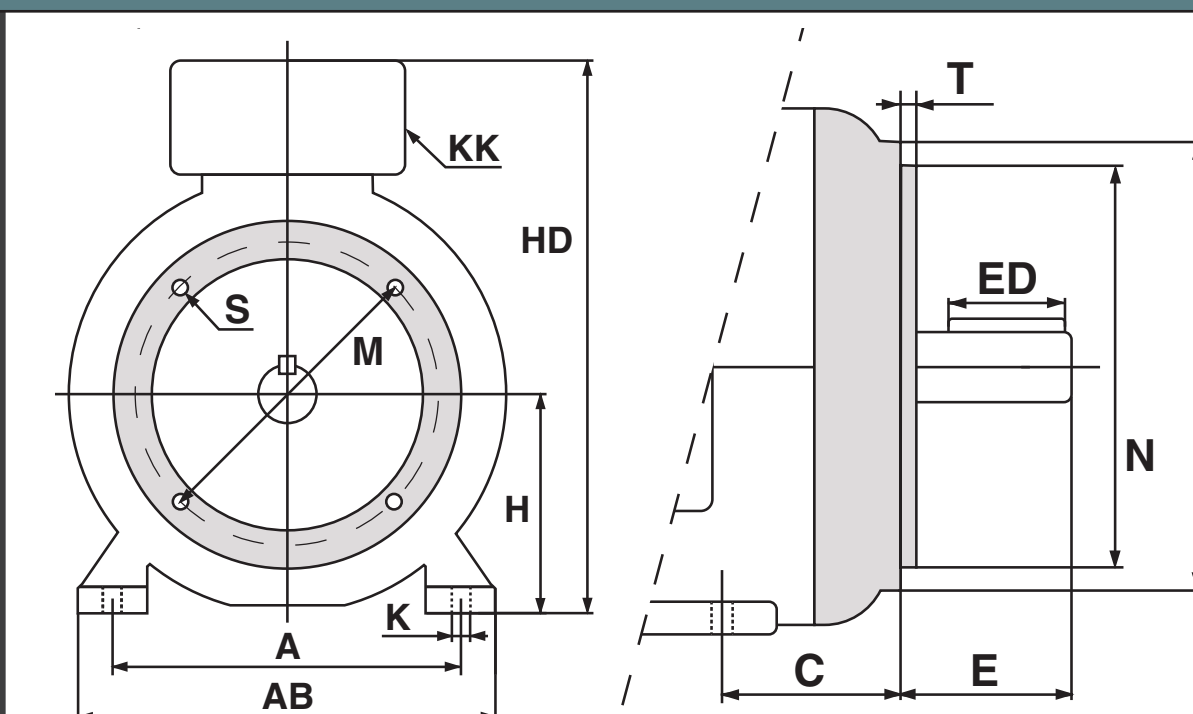
Frame Size	FOOT MOUNTING						SHAFT						GENERAL						NEMA C-FLANGE					NEMA D-FLANGE				
	A	BA	E	F1	F2	H	N-W	U	R	S	ES	AA	AB	C	D	O	P	AJ	AK	BB	BD	BF	AJ	AK	BB	BD	BF	
56C*	6.3	2.75	2.44	3	-	0.335	1.875	0.625	0.517	0.1875	1.41	1/2	5.2	11.5	3.5	6.65	6.10	5.875	4.5	0.16	5.875	3/8-16	-	-	-	-	-	
56HC*				4	5								5.65	13.6	3.5	7	6.90											
143T				5		0.34	2.25	0.875	0.771	0.188	1.41	3/4	5.9	13.38														
145T	7	2.25	2.75											14.38	3.5	7.25	7.125	5.875	4.5	0.16	6.5	3/8-16	10	9	0.25	11	0.53	
182T				4.5										15.9														
184T	9	2.75	3.75			0.41	2.75	1.125	0.986	0.25	1.78	3/4	7.17	16.9	4.5	9.055	9.03	7.25	8.5	0.25	8.95	1/2-13	10	9	0.25	11	0.53	
213T				5.5										19.1														
215T	10.27	3.5	4.25			0.41	3.38	1.375	1.201	0.312	2.42	1	7.95	20.6	5.25	10.63	10.57	7.25	8.5	0.25	8.95	1/2-13	10	9	0.25	11	0.53	
254T				7										24.28														
256T	12.36	4.25	5	8.25	10	0.53	4	1.625	1.416	0.375	2.81	1 1/4	10.1	26.01	6.25	12.68	12.59	7.25	8.5	0.25	10	1/2-13	12.5	11	0.25	14	0.81	
284T							4.62	1.875	1.591	0.5	3.28			27.73														
284TS							3.25	1.625	1.416	0.375	1.91			26.36														
286T	13.8	4.75	5.5	9.5		0.53	4.62	1.875	1.591	0.5	3.28	1 1/2	10.83	29.23	7	14.53	14.26	9	10.5	0.25	11.25	1/2-13	12.5	11	0.25	14	0.81	
286TS					11		3.25	1.625	1.416	0.375	1.91			27.86														
324T							5.25	2.125	1.845					30.2														
324TS							3.75	1.875	1.591					28.7														
326T	15.4	5.25	6.25	10.5		0.66	5.25	2.125	1.845	0.5	2.03	2	13	31.7	8	16.06	16.03	11	12.5	0.25	14	5/8-11	16	14	0.25	18	0.81	
326TS					12		3.75	1.875	1.591					30.2														
364T							5.88	2.375	2.021	0.625	4.28			33.83														
364TS							3.75	1.875	1.591	0.5	2.03			31.7														
365T	17.17	5.88	7	11.25		0.66	5.88	2.375	2.021	0.625	4.28	3	14.2	34.83	9	18.425	18.21	11	12.5	0.25	14	5/8-11	16	14	0.25	18	0.81	
365TS					12.25		3.75	1.875	1.591	0.5	2.03			32.7														
404(5)T	19.06	6.62	8	12.25	13.75	0.81	7.25	2.875	2.45	0.75	5.65	3	15.3	38.75	10	20.32	20.16	11	12.5	0.25	15.5	5/8-11	20	18	0.25	22	0.81	
404(5)TS							4.25	2.125	1.845	0.5	2.78			35.75														
444(5)T				14.5	16.5		8.5	3.375	2.88	0.875	6.91			44.52														
444(5)TS							4.75	2.375	2.021	0.625	3.03			40.77														
447(9)T	21.93	7.5	9			0.81	8.5	3.375	2.88	0.875	6.91	3	18	53.02	11	22.2		14	16	0.25	18	5/8-11	20	18	0.25	22	0.81	
449TS				20	25		4.75	2.375	2.021	0.625	3.03			49.27														

* Aluminum Frame

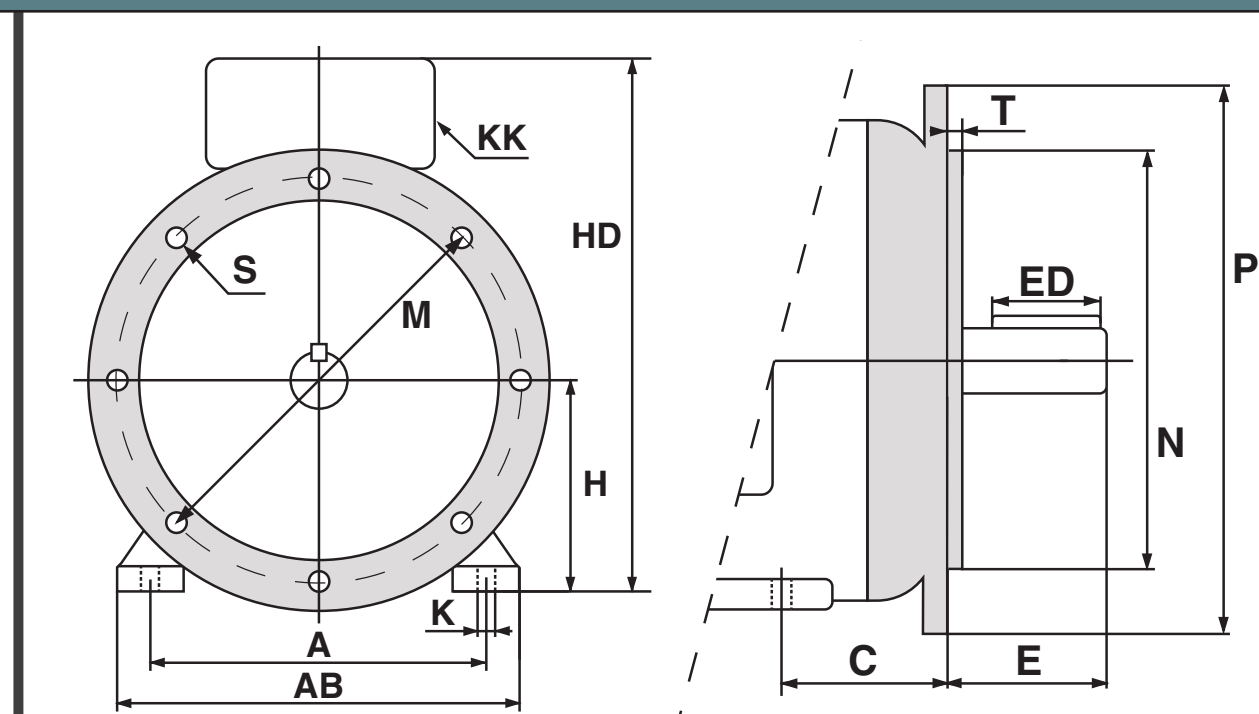
METRIC IEC FRAME DIMENSIONS



FOOTED B3



FOOTED B34



FOOTED B35

Frame Size	FOOT MOUNTING						SHAFT						GENERAL						B14 FLANGE					B5 FLANGE				
	AB	C	A	B	2B	K	E	D	G	F	DB	KK	L	H	HD	AC	M	N	T	P	S	M	N	T	P	S		
56*	110mm	36mm	90mm	71mm	-	5.8mm	20mm	9mm	7.2mm	3mm	M3	M16X1.5	196mm	56mm	156mm	90mm	65mm	50mm	2.5mm	80mm	M5	100mm	80mm	3mm	120mm	7mm		
63*	120mm	40mm	100mm	80mm	-	7mm	23mm	11mm	8.5mm	4mm	M4	M16X1.5	220mm	63mm	171mm	130mm	75mm	60mm	2.5mm	90mm	M5	115mm	95mm	3mm	140mm	10mm		
71*	132mm	45mm	112mm	90mm	-	7mm	30mm	14mm	11mm	5mm	M5	M16X1.5	241mm	71mm	179mm	139.6mm	85mm	70mm	2.5mm	105mm	M6	130mm	110mm	3.5mm	160mm	10mm		
80*	160mm	50mm	125mm	100mm	-	10mm	40mm	19mm	15.5mm	6mm	M6	M16X1.5	289mm	80mm	217mm	156mm	100mm	80mm	3mm	120mm	M6	165mm	130mm	3.5mm	200mm	12mm		
90S*	175mm	56mm	140mm	100mm	-	10mm	50mm	24mm	20mm	8mm	M8	M20X1.5	312mm	90mm	228mm	177mm	115mm	95mm	3mm	140mm	M8	165mm	130mm	3.5mm	200mm	12mm		
90L*	175mm	56mm	140mm	100mm	-	10mm	50mm	24mm	20mm	8mm	M8	M20X1.5	312mm	90mm	228mm	177mm	115mm	95mm	3mm	140mm	M8	165mm	130mm	3.5mm	200mm	12mm		
100L*	200mm	63mm	160mm	140mm	-	12mm	60mm	28mm	24mm	8mm	M10	M20X1.5	380mm	100mm	258mm	200mm	130mm	110mm	3.5mm	160mm	M8	215mm	180mm	4mm	250mm	15mm		
112M*	230mm	70mm	190mm	140mm	-	12mm	60mm	28mm	24mm	8mm	M10	M25X1.5	400mm	112mm	280mm	220mm	130mm	110mm	3.5mm	160mm	M8	215mm	180mm	4mm	250mm	15mm		
132S*	255mm	89mm	216mm	140mm	-	12mm	80mm	38mm	33mm	10mm	M12	M25X1.5	460mm	132mm	319mm	261mm	165mm	130mm	3.5mm	200mm	M10	265mm	230mm	4mm	300mm	15mm		
132M*	255mm	89mm	216mm	140mm	-	12mm	80mm	38mm	33mm	10mm	M12	M25X1.5	460mm	132mm	319mm	261mm	165mm	130mm	3.5mm	200mm	M10	265mm	230mm	4mm	300mm	15mm		
160M	314mm	108mm	254mm	210mm	-	15mm	110mm	42mm	37mm	12mm	M16	M32X1.5	605mm	160mm	410mm	313mm	215mm	180mm	4mm	250mm	M12	300mm	250mm	5mm	350mm	19mm		
160L	314mm	108mm	254mm	210mm	-	15mm	110mm	42mm	37mm	12mm	M16	M32X1.5	605mm	160mm	410mm	313mm	215mm	180mm	4mm	250mm	M12	300mm	250mm	5mm	350mm	19mm		
180M	348mm	121mm	279mm	241mm	-	15mm	110mm	48mm	42.5mm	14mm	M16	M32X1.5	687mm	180mm	448mm	360mm						300mm	250mm	5mm	350mm	19mm		
180L	348mm	121mm	279mm	241mm	-	15mm	110mm	48mm	42.5mm	14mm	M16	M32X1.5	687mm	180mm	448mm	360mm						300mm	250mm	5mm	350mm	19mm		
200L	388mm	133mm	318mm	305mm	-	19mm	110mm	55mm	49mm	16mm	M20	M40X1.5	768mm	200mm	500mm	399mm						350mm	300mm	5mm	400mm	19mm		
225S	436mm	149mm	356mm	286mm	-	19mm	140mm	60mm	53mm	18mm	M20	M50X1.5	814mm	225mm	560mm	465mm						400mm	350mm	5mm	450mm	19mm		
225M	436mm	149mm	356mm	286mm	-	19mm	140mm	60mm	53mm	18mm	M20	M50X1.5	814mm	225mm	560mm	465mm						400mm	350mm	5mm	450mm	19mm		
250M	484mm	168mm	406mm	349mm	-	24mm	140mm	65mm	67.5mm	20mm	M20	M50X1.5	918mm	250mm	611mm	506mm						500mm	450mm	5mm	550mm	19mm		
280S	557mm	190mm	457mm	368mm	-	28mm	140mm	65mm	58mm	22mm	M20	M50X1.5	1035mm	280mm	675mm	559mm						500mm	450mm	5mm	550mm	19mm		
280M	557mm	190mm	457mm	368mm	-	28mm	140mm	65mm	58mm	22mm	M20	M50X1.5	1035mm	280mm	675mm	559mm						500mm	450mm	5mm	550mm	19mm		

* Aluminum Frame



2815 Colonnades Court
Peachtree Corners, Ga 30071



1-855-TECHTOP
1-855-(832-4867)



info@techttopind.com
www.techttop.com